

EZF5C50X vgradna pečica



Your dishes, consistently delicious

With the 600 SurroundCook® Oven, everything from crisp roast chicken to delicate meringues are cooked evenly. Our oven makes sure the internal temperature is consistent throughout, as the fan circulates air and heat. So you no longer need to turn dishes or adjust



Evenly cooked with Multilevel cooking

Enjoy even cooking with Multilevel cooking. The additional heating ring means you can cook evenly across two levels. Perfect for creating the fudgiest cookies and sumptuous pies.



Catalytic Cleaning, for an oven that cleans itself

Our Catalytic Cleaning technology means you can say goodbye to build-ups of grease and residue. This self-cleaning technology automatically starts to work when the oven's temperature reaches 250°C. Now cleaning your oven is easy.

Prednosti izdelka:

- Set exact cooking times with the LED timer display.
- The fan circulates heat consistently and evenly throughout the oven.
- Our grill crisps food to perfection, every time.

Značilnosti:

- Vgradne pečice
- Večfunkcijska pečica s krožnim grelcem
- Možnost pečenja na 2 nivojih
- Termotimer nadzor pečice
- Vgrezni gumbi
- Katalitične obloge, za čisto pečico
- Enostavno čiščenje vrat
- Ventilator za hlajenje
- Priloženi pekači s pečico: 1 globoki pekač s prevleko proti prijemanju živil iz lahko čistilnega emajla, 1 globoki pekač - črni emajl
- Število rešetk v pečici: 1 kromirana rešetka
- http://services.electrolux-medialibrary.com/118ed4c0ee6546f4a7684c7fef8c985aNrZmYkM861d1f/view/WS_TN/PSEBPL15PC002027.png
- http://services.electrolux-medialibrary.com/118ed4c0ee6546f4a7684c7fef8c985aNrZmYkM861d1f/view/WS_TN/PSEBPL15PC002009.png
- http://services.electrolux-medialibrary.com/118ed4c0ee6546f4a7684c7fef8c985aNrZmYkM861d1f/view/WS_TN/PSEBPL15PC002010.png
- http://services.electrolux-medialibrary.com/118ed4c0ee6546f4a7684c7fef8c985aNrZmYkM861d1f/view/WS_TN/PSEBPL15PC002012.png
- http://services.electrolux-medialibrary.com/118ed4c0ee6546f4a7684c7fef8c985aNrZmYkM861d1f/view/WS_TN/PSEBPL15PC002025.png
- Dodatek za žar
- Programi: zvočni signal, trajanje,

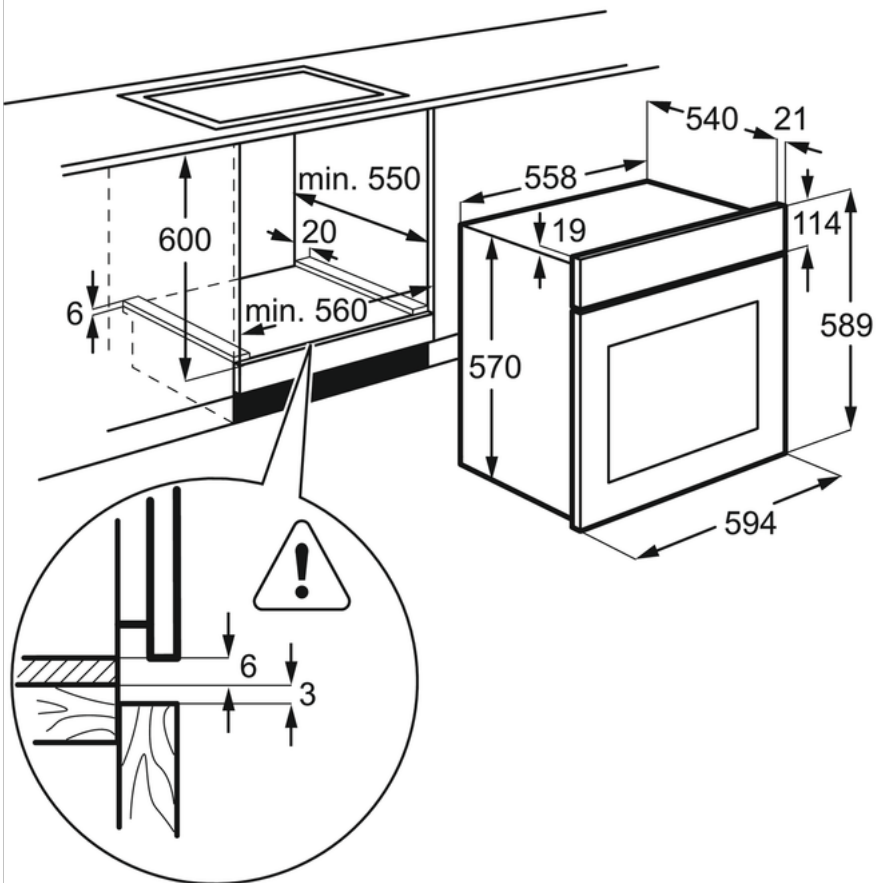
Tehnične značilnosti:

- Čiščenje pečice : katalitične obloge
- Uporabna prostornina notranjosti (l) : 57
- Razred energijske učinkovitosti : A
- Razpon temperature : 50°C - 250°C
- Glasnost dB(A) : 47
- Zunanje mere (VxŠxG) v mm : 590x594x560
- Vključeni dodatki : TR1L
- Notranjost : Črni emajl
- Vgradne mere (mm) : 593x560x550
- Skupna priključna moč (W) : 2500
- Moč (V) : 220-240
- Varovalka (A) : 13
- Dolžina kabla (m) : 1.1
- Barva : nerjaveče jeklo
- Poraba energije pri običajnem načinu kroženja zraka (kWh/cikel) : 0.85
- PNC koda : 944068019
- Product Partner Code : ER

Opis aparata:

EZF5C50X vgradna pečica

PSGBOV140D002005



PSGBOV140D002004

